

Section 1.4 Surface Areas of Other Composite Objects

Review:

Area of a Rectangle

Area of a Triangle

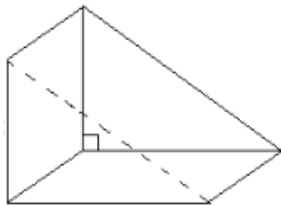
Area of a Square

Area of a Circle

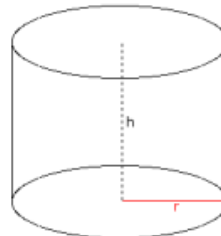
When determining the surface area of composite objects, we must determine what different shapes make up the whole object and consider the overlap.

Example 1 What shapes make up these objects?

a)

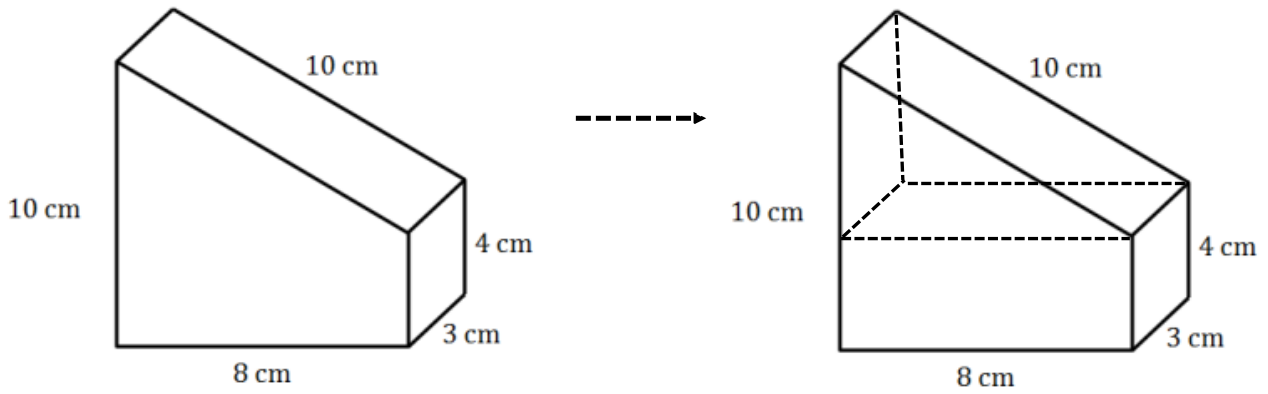


b)



Example 2

Determine surface area of this object.



Step 1: What objects make up this whole composite object?

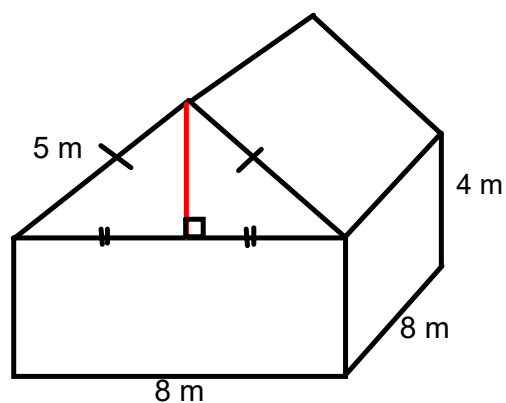


Step 2: Find the surface area of each object.

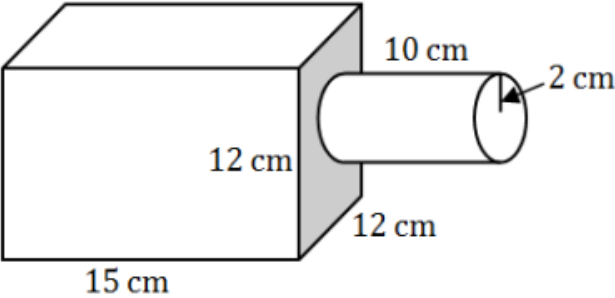
Step 3: Find the area of the overlap. Don't forget to double it!

Step 4: Find the total surface area of the composite figure.

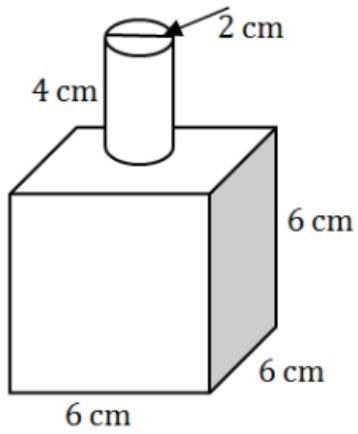
Example 3 Find the surface area of this composite object.



Example 4 Find the surface area of this object.



Your Turn: Find the surface area of this object.



Work Book Questions

p.40 #3cd, 4b, 5a

Extra Practice Questions

p.40 #3abe, 4a, 5b