

**Grade 9 Math Unit 1 Review**  
**Square Roots and Surface Area**

$$\frac{\quad}{14} + \frac{\quad}{28} = \frac{\quad}{42} =$$

Name: \_\_\_\_\_

**SHOW ALL WORKINGS!**

NUMBER SECTION: (10 marks)

Part A: Selected Response: Circle the correct answer. (8 marks)

1. Which of the following numbers is a perfect square number? (N5.1)

- A. 0.0049
- B. 0.049
- C. 4.9
- D. 490

2. What is the square root of  $\frac{36}{81}$ ? (N5.2)

- A. 6
- B.  $\frac{6}{8}$
- C.  $\frac{6}{9}$
- D.  $\frac{1296}{6561}$

3. What is the square of  $\frac{4}{9}$ ? (N5.4)

- A. 2
- B.  $\frac{2}{3}$
- C.  $\frac{8}{18}$
- D.  $\frac{16}{81}$

4. A square garden has an area of  $31.5 \text{ m}^2$ . What is a good **estimate** the dimensions of the garden? (N6.1)

- A. 5.6
- B. 7.9
- C. 15.8
- D. 30

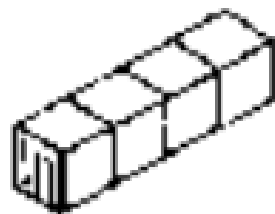
1. Samantha is answering a question on her Math Assignment and she states that the square root of 900 is 450. Is she correct? Explain your answer. (5.3) (3 marks)

2. Write **any** number that has a square root between 2.3 and 2.4. (N6.4) (3 marks)

#### SHAPE AND SPACE

---

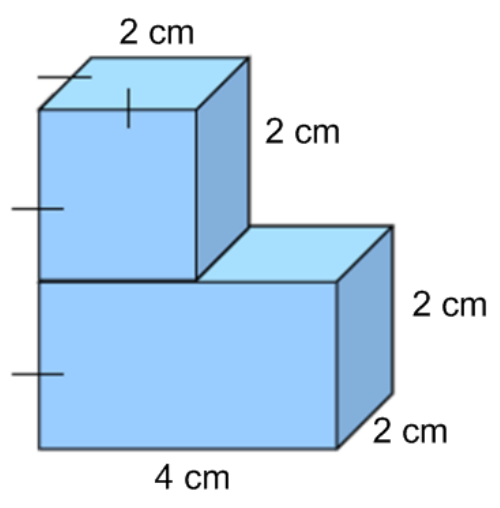
1. What is the surface area of the object formed by the interlocking cubes if each face is  $1 \text{ cm}^2$ ? (SS2.2) (2 marks)



2. Determine the surface area of these composite shapes.

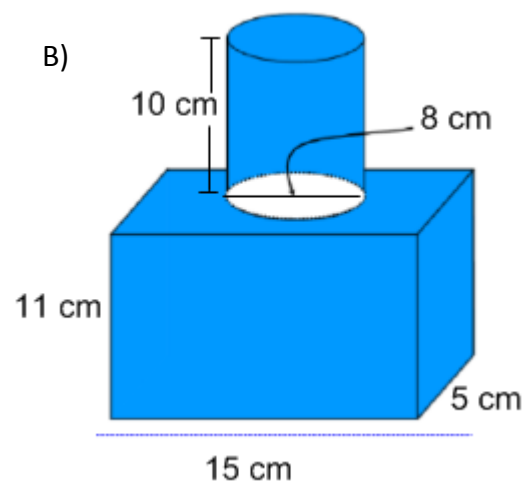
A)

(6 marks)

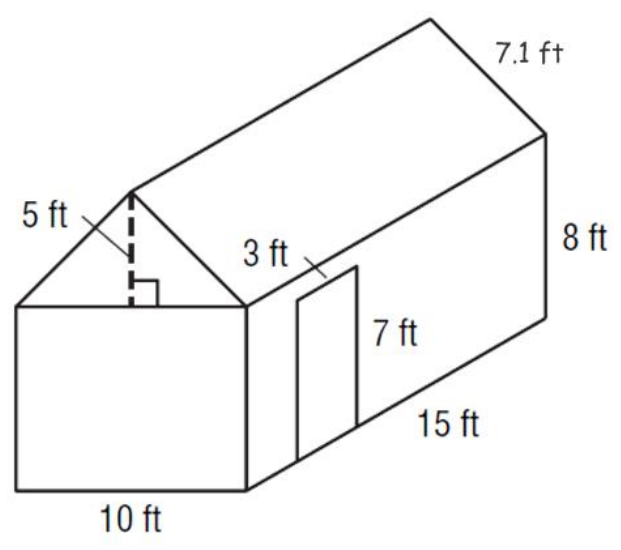


B)

(8 marks)



3. a) The Ramirez family is going to paint the complete **EXTERIOR** of the shed except for the door and bottom. (11 marks)



- b) The paint cost \$1.25 a square foot. How much to paint the exterior of the shed? ( 1 mark)